



SIDE-OF-POLE MOUNTING (SPM) :

Ameresco Solar manufactures and distributes a complete line of mounting kits to accommodate a wide range of off-grid applications. From single module top-of-pole mounts to complex multi-panel arrays, our mounting line has the flexibility to meet your mounting needs.

Our Side-of-Pole Mounts Feature:

Rugged Materials and Construction, Precision Engineering and Expert Support



2X-SPM: ROHN Tower:

- Fit ROHN25-45 Towers



2X-SPM: Pole Mounted

- Fit 2" to 8" SCH 40 pipe

Photographs are intended to portray typical enclosure appearance, actual appearance may vary.

- ① Solar Panel
- ② Panel Kit Rail
- ③ Leg Kit
- ④ L-Bracket (Foot)
- ⑤ C-Channels (2X4X)
- ⑥ U-Bolts (not supplied)



Figure 1. Mounting kit components

Upper Pole Attachment:

Lower Pole Attachment:

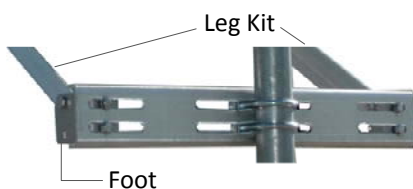
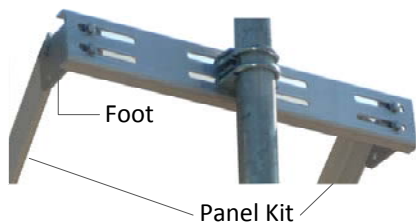


Figure 2. Attach the C-Channels to pole using U-Bolts.

Array Tilt Angle Selection: Table 1

SITE LATITUDE: (In Degrees)	FIXED TILT ANGLE
0° TO 15°	15°
15° TO 25°	SAME AS LATITUDE
25° TO 30°	SAME AS LATITUDE +5°
30° TO 35°	SAME AS LATITUDE +10°
35° TO 40°	SAME AS LATITUDE +15°
40° +	SAME AS LATITUDE +20°

Table 1:

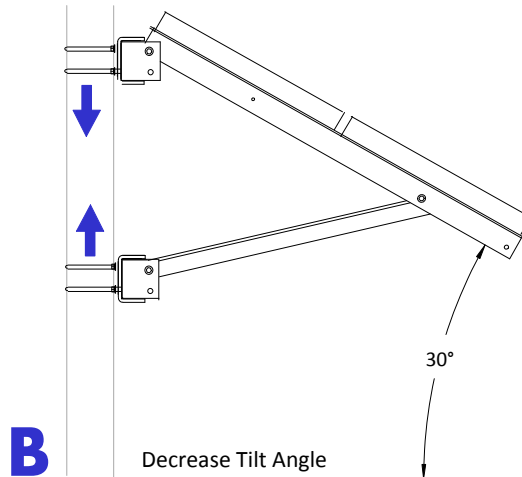
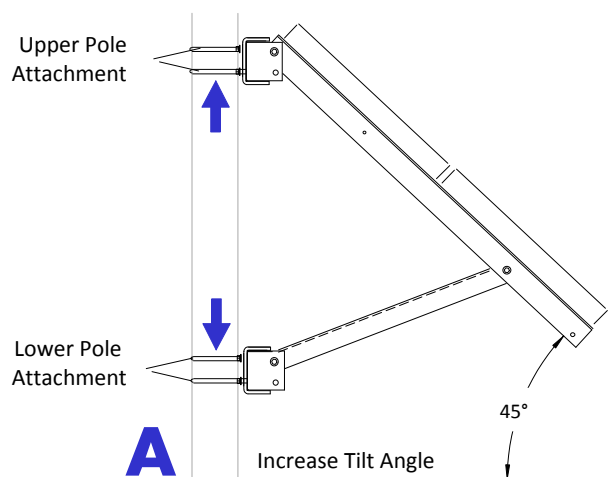


Figure 3. Tilt Angle Adjustments.

Locate array in an unshaded area facing equator and tilted from the horizontal at desired tilt angle (See Table 1).

Solar arrays in the Northern Hemisphere face South for optimum energy production. Solar Arrays in the Southern hemisphere face North.

When choosing a site, avoid trees, buildings or obstructions which could cast shadows on the solar modules. This is especially true during the winter months when the arc of the sun is lowest to the horizon.