

Solar Mounting Solutions

Curved & Flat Tile Roofs



Quick Mount PV[®]
RESPECT THE ROOF

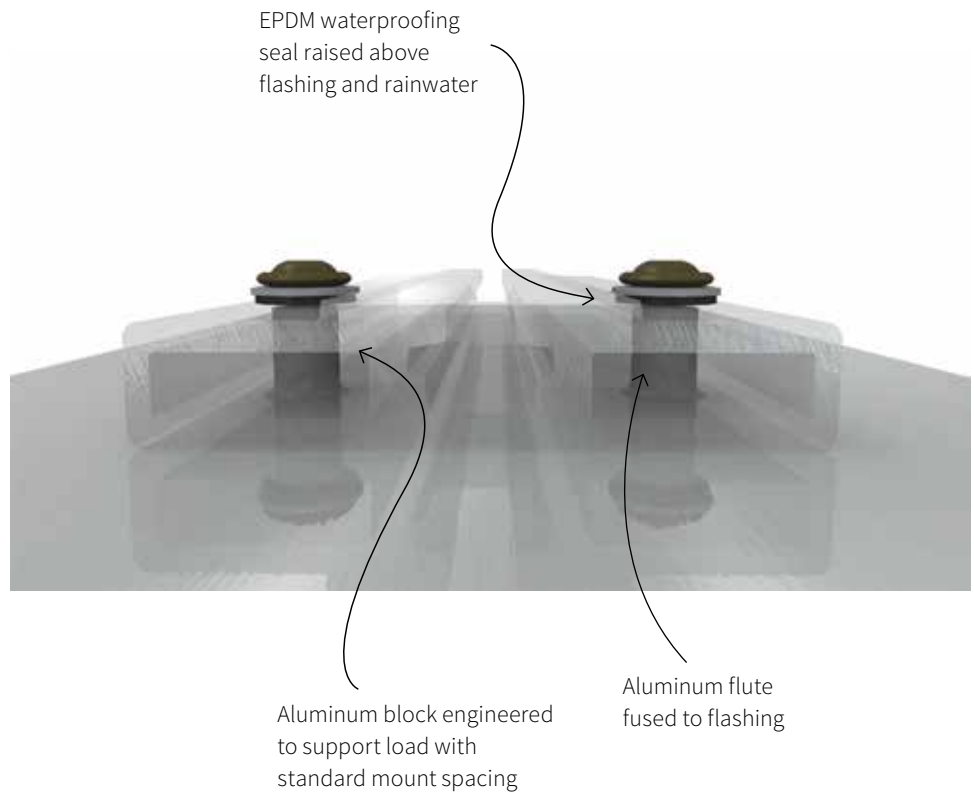
QBlock® Tile Replacement Mounts



The Tile Replacement Mount provides a fast and easy way to install solar on tile roofs while protecting against water intrusion. Simply remove the tile and replace it with the Tile Replacement Mount. Works with all standard curved and flat tile roofs, and all standard rail-based racking systems. Flashed at both the deck and top levels, the Tile Replacement Mount is fully engineered to meet code requirements and industry best practices. The Tile Replacement Mount features our patented Elevated Water Seal Technology® for optimal waterproofing.

TECHNOLOGY BENEFITS

- Versatile: works with Flat, S-shaped and W-shaped tiles and all standard rail-based racking systems
- Simple and clean: no time-consuming, messy tile grinding or cutting
- Universal base mount works with all three tile profile flashings
- Double-flashed: flashed at both the deck and tile levels for code compliance
- Features patented QBlock® Elevated Water Seal Technology®
- All hardware and sub-flashing included
- Meets or exceeds all roofing industry best practices; 100% IBC compliant
- 25-year warranty



TILE REPLACEMENT MOUNT PRODUCTS



Tile Replacement Mount for S-shaped Curved Tile Profiles

Universal base mount with integrated sub-flashing, 3.25" post and preformed aluminum flashing replaces S-shaped tile.

Available finishes: aluminum mill (A), black (B)



Tile Replacement Mount for W-shaped Curved Tile Profiles

Universal base mount with integrated sub-flashing, 4" post and preformed aluminum flashing replaces W-shaped tile.

Available finishes: aluminum mill (A), black (B)



Tile Replacement Mount for Flat Tile Profiles

Universal base mount with integrated sub-flashing, 3.25" post and preformed aluminum flashing replaces flat tile.

Available finishes: aluminum mill (A), black (B)

QHook® Tile Mounts



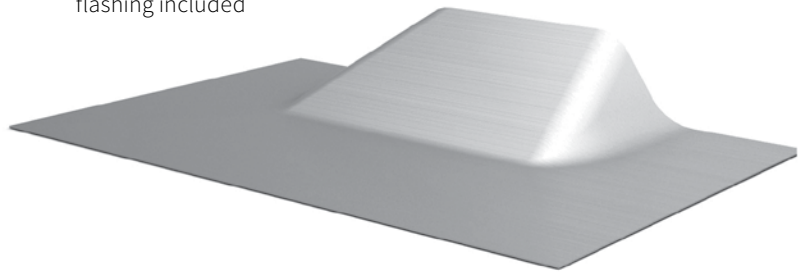
Quick Hook®, featuring QHook technology, provides a fast and simple way to install solar on tile roofs. Quick Hook is designed for use with side-mounted or bottom-mounted rails, with multiple height options for use with a variety of tiles. Optional Tile Replacement Flashings work with Flat, S and W-shaped tile profiles to speed installation. The flashing replaces a tile, so there's no messy, time-consuming tile grinding or cutting required. Works with all standard curved and flat tile roofs, and all standard rail-based racking systems. The Quick Hook and Tile Replacement Flashing are fully engineering to meet code requirements and industry best practices.

TECHNOLOGY BENEFITS

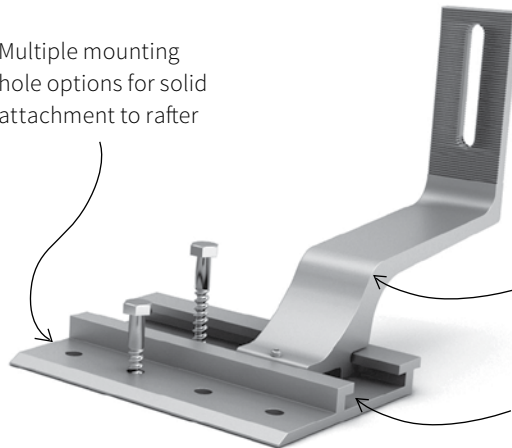
- Multiple height options for use with a variety of tiles
- Designed for use with side-mounted or bottom-mounted rails
- Sliding hook makes it easy to hit rafter and match hook to valley of tile
- Quick Hook includes preformed sub flashing for code compliance
- Optional Tile Replacement Flashing for Flat, S-shaped or W-shaped tile
- Meets or exceeds all roofing industry best practices; 100% IBC compliant
- 25-year warranty



Preformed aluminum flashing included

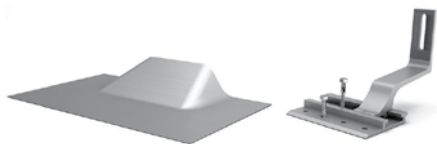


Multiple mounting hole options for solid attachment to rafter



Cantilevered hook engineered for strength

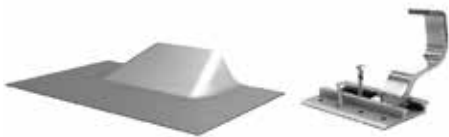
Hook slides in base slot to enable optimal positioning



QHook PRODUCTS

QUICK HOOK® SS/LS – FOR SIDE MOUNT RAILS

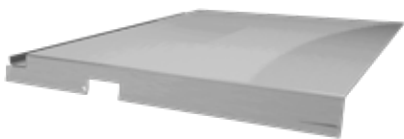
Standard height & low height hooks for side-mounted rails. Preformed flashing and adjustable hook for simple, clean installation.



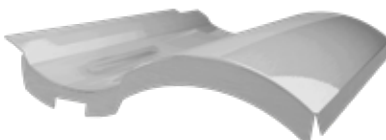
QUICK HOOK® SB/LB – FOR BOTTOM MOUNT RAILS

Standard height & low height hooks for bottom-mounted rails. Preformed flashing and adjustable hook for simple, clean installation.

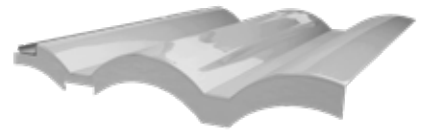
OPTIONAL TILE REPLACEMENT FLASHINGS FOR TILE HOOKS



FLAT TILE



S-TILE



W-Tile

Available finishes: aluminum mill (A) and black (B)

Tile hook and Tile Replacement Flashing sold separately

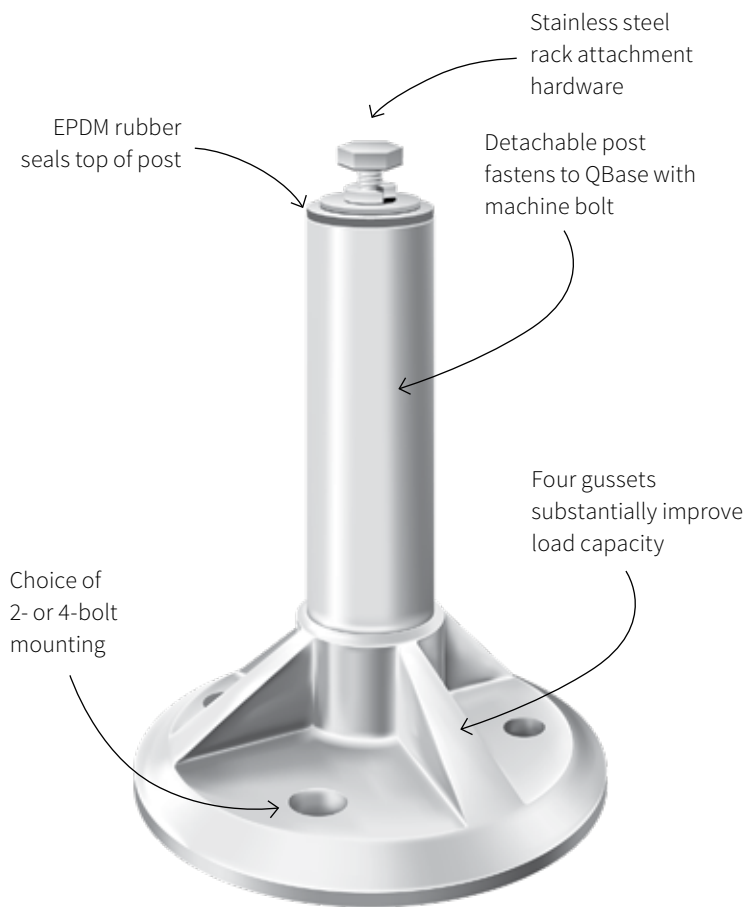
QBase® Tile Mounts



The QBase has a super-strong cast aluminum foundation with four gussets to support standoff posts for tile from 4.5 to 7 inches. The QBase Universal Tile Mount and the QBase Standard Flat Tile Mount are complete double-flashed mounting kits. Both flashings feature an aluminum cone, with no seams to fail in extreme weather. Ideal for both retrofit and new roof installations.

TECHNOLOGY BENEFITS

- Flashed at both the deck and top levels
- 18 x 18-inch malleable top flashing with aluminum cone
- 9 x 9-inch subflashing with aluminum cone
- Strongest off-the-shelf mechanical mount
- All fasteners and hardware included
- All exposed hardware is 18-8 stainless steel
- Attaches to roof structure with 2 or 4 fasteners
- Meets or exceeds all roofing industry best practices; 100% IBC compliant
- Works with all leading racks
- 25-year warranty



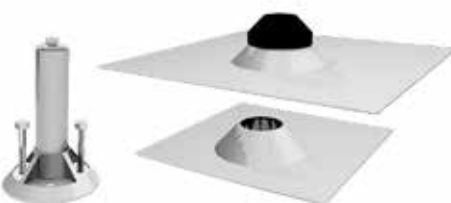
QBASE PRODUCTS



QBase Universal Tile Mount

Heavy-duty tile mount with both deck- and tile-level flashing. The secondary top flashing is malleable, so it works equally well for both curved and flat tile roofs.

Available finishes: aluminum mill (A), bronze anodized (B)



QBase Standard Flat Tile Mount

The QBase Standard Flat Tile Mount is identical to the QBase Universal Tile Mount, except with a shorter post to enable a low-profile installation on flat tile roofs.

Available finishes: aluminum mill (A), bronze anodized (B)

Conduit Mount for Tile - For Curved & Flat Tile Roofs

The Conduit Mount for Tile is designed to lift electrical conduit off the roof to protect wiring from overheating. The Conduit Mount works with flat or curved tile and does not require tile cutting or grinding. All stainless steel hardware included.

TECHNOLOGY BENEFITS

- Raises array wiring off hot roof
- Works with flat and curved tile roofs
- No tile cutting or grinding
- No penetrations through the roof
- Meets or exceeds roofing industry best practices
- All stainless steel hardware included
- 100% IBC compliant
- 25-year warranty



Conduit clamp and pipe not included

Tile Replacement Conduit Penetration Flashing - For Curved & Flat Tile Roofs

The Tile Replacement Conduit Penetration Flashing provides a quick, easy way to install conduit through the roof while protecting the penetration against water intrusion. The Conduit Penetration Flashing is comprised of all-aluminum top and deck flashings and an innovative EPDM post collar that can be customized to fit a 1/2", 3/4", or 1" diameter conduit. Fully engineered to meet code requirements and industry best practices.

TECHNOLOGY BENEFITS

- Works with all standard flat and curved tile roofs
- Versatile: Works with Flat, S-shaped and W-shaped tiles
- Simple and clean: No time-consuming, messy tile grinding or cutting
- Double flashed: Flashed at both the deck and tile levels for code compliance
- Creates replacement tiles on the job
- 100% IBC compliant
- 25-year warranty



2700 Mitchell Dr. ■ Walnut Creek, CA 94598
www.quickmountpv.com ■ (925) 478-8269

