

Side-of-Pole Mounts

Maximum Strength
Single Pole PV Mounting System

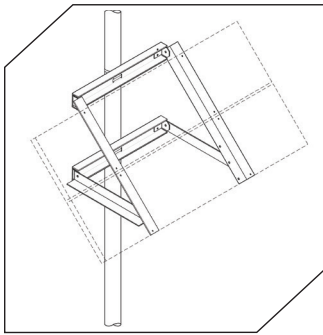


-  COMMUNICATIONS
-  ENERGY
-  SPECIAL INDUSTRIES
-  SOLAR

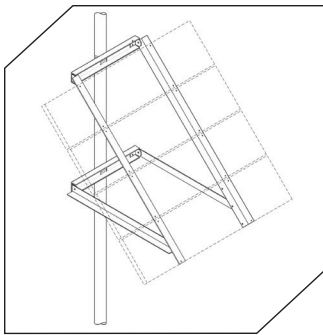




One Module Mount



Two Module Mounts



Four Module Mounts

Side-of-Pole (SPM) PV Mounting System

The SPM is designed to install quickly and provide a secure mounting structure for PV modules on a single pole. The module-specific design reduces the number of components and provides for an easy assembly. The SPM utilizes high strength aluminum components and corrosion resistant hardware for long term reliability. Seasonal adjustability for maximizing production is provided by several tilt-angle settings and is a one person operation.

Maximum Strength – Durable Design

- Standard mounts designed to withstand 90 MPH wind zones
- TIG welded aluminum pole channels
- 6000 series structural aluminum mounting rails
- Stainless Steel module mounting hardware
- Zinc plated rack assembly hardware
- High strength stainless steel band clamps

Application Flexibility

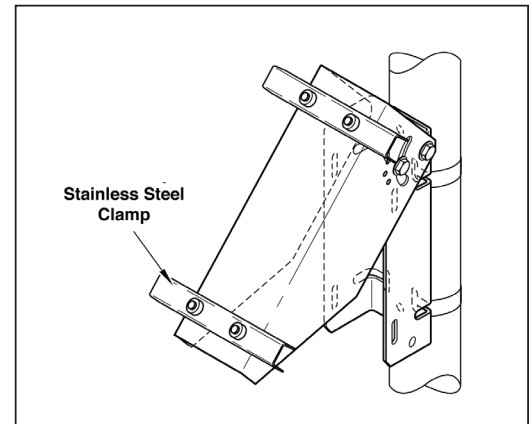
- Several sizes available from 1 through 4 modules
- Installs around standard 2-4.5" OD pipe (Installer Supplied)
- 30° to 60° tilt angle settings (full range)
- Mount up to 840W on a single pole

Ease of Assembly – Reduced Labor Costs

- Module Specific Design reduces number of parts and labor
- No measuring required
- Factory set module hole placement locations create uniform spacing
- Easy access bottom flange module attachment

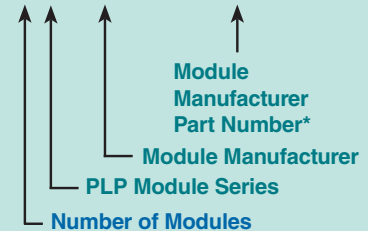
Key Benefits

- Maximum Strength and Durability
- Module-Specific Design – Less Parts
- Ease of Assembly
- Single Ground Penetration
- Seasonal Elevation Adjustment



Ordering Guideline

SPM4-D-SHARP-NE170UC1



*Important: Include complete module part # as listed on module manufacturer's specification sheet

Options / Upgrades

- High Wind Version – 130 MPH Exposure C
- Anodized or Powder Coated Finish on aluminum components
- Stainless Steel Rack Assembly Hardware Package
- Tamper-Resistant Module Mounting Hardware Package
- Stainless Steel Band Clamp size upgrades



PREFORMED
LINE PRODUCTS

Albuquerque Office
1700 Louisiana Blvd., Suite 130
Albuquerque, NM 87110 USA

Corporate Headquarters
660 Beta Drive
Cleveland, Ohio 44143 USA

Telephone: 800.260.3792
Fax: 505.881.0933
Web Site: www.preformed.com
E-mail: info@plpsolar.com

© 2017 Preformed Line Products
Printed in U.S.A.
SL-SS-1088-6
06.17.IH