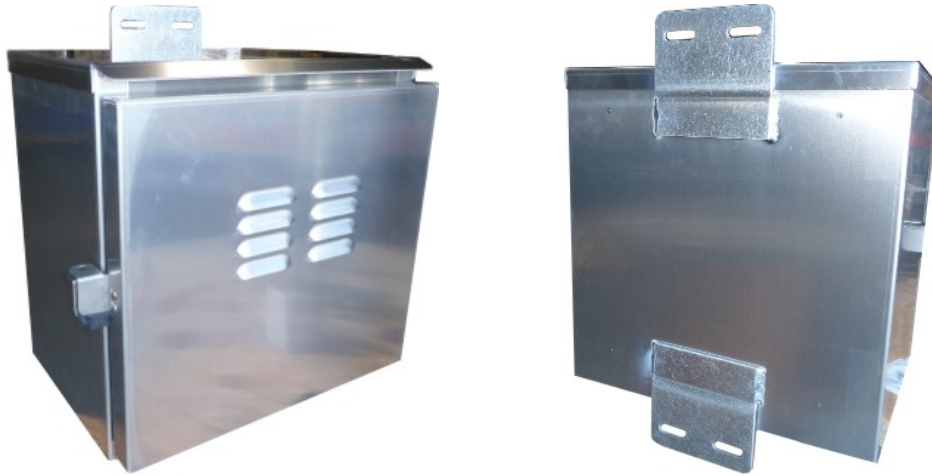
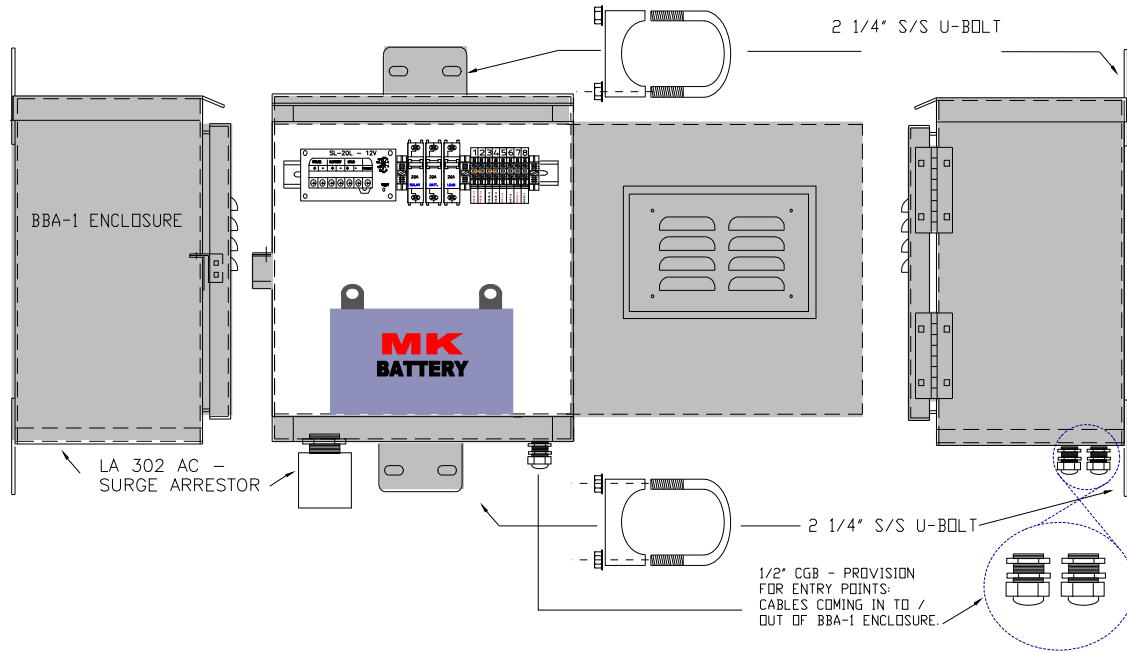


BBA-1 BATTERY ENCLOSURE





4

3

2

1

10.125in

16.25in

16.25in

HASP ATTACHED TO DOOR

HASP ATTACHED TO BODY

SIDE VIEW OF ASSEMBLED HASP
SCALE 2.5:1

NOTES:

1. CABINET DIMENSIONS INSIDE: 16"H X 16"W X 10"D
2. STAINLESS STEEL PAD LOCKABLE HASP.
3. STAINLESS STEEL HINGE.
4. SCREENED LOUVERS ON DOOR FOR VENTILATION.
5. 13.000 X 14.125 BACK PANEL.

AMERESCO SOLAR
Green • Clean • Sustainable

TITLE
BBA-1M ALUMINUM ENCLOSURE

SIZE	CAGE CODE	DWG NO	REV
B			0

SCALE	SHEET
DO NOT SCALE	1 OF 1

PURCHASE ORDER NO.	TBD
--------------------	-----

DOCUMENT CODE	06
---------------	----

DOCUMENT NO.	TBD	001
--------------	-----	-----

NOTES

FILE NAME: .../Bison/BBA-1M.txd

4

3

2

1

BBA-2 BATTERY ENCLOSURE

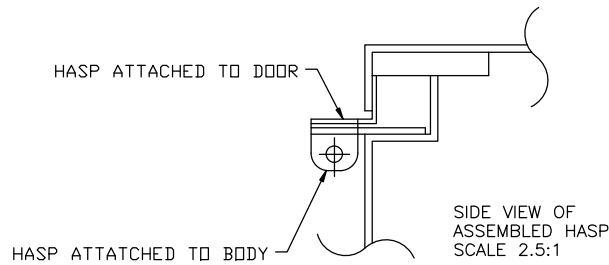
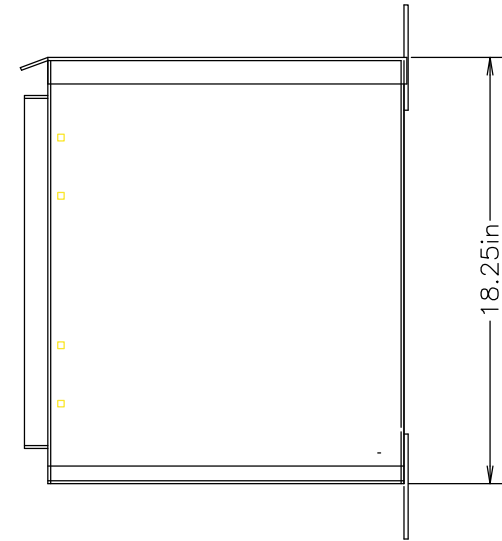
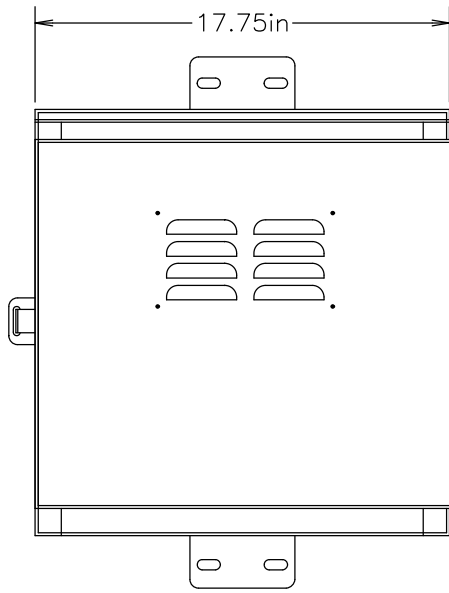
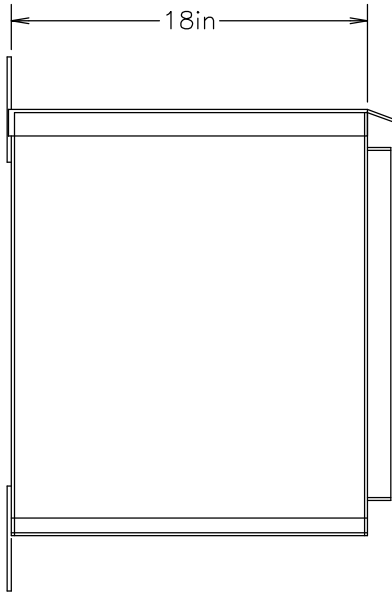


4

3

2

1



- NOTES:
1. CABINET DIMENSIONS INSIDE:
18"H X 17 1/2"W X 17 7/8"D
 2. STAINLESS STEEL PAD LOCKABLE HASP.
 3. STAINLESS STEEL HINGE.
 4. SCREENED LOUVERS ON DOOR FOR VENTILATION.
 5. 14.500 X 15.000 X .125 ALUM. BACK PANEL.

NOTES

AMERESCO SOLAR Green • Clean • Sustainable			
TITLE BBA-2 ALUMINUM ENCLOSURE			
SIZE	CAGE CODE	DWG NO	REV
B			0
SCALE DO NOT SCALE		SHEET 1 OF 1	
PURCHASE ORDER NO.		TBD	
DOCUMENT CODE		06	
DOCUMENT NO.		TBD	001

FILE NAME: .../Bison/BBA-2.tdw

4

3

2

1

BBA-3 BATTERY ENCLOSURE



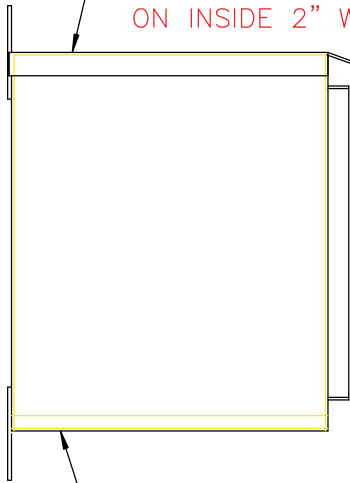
4

3

2

1

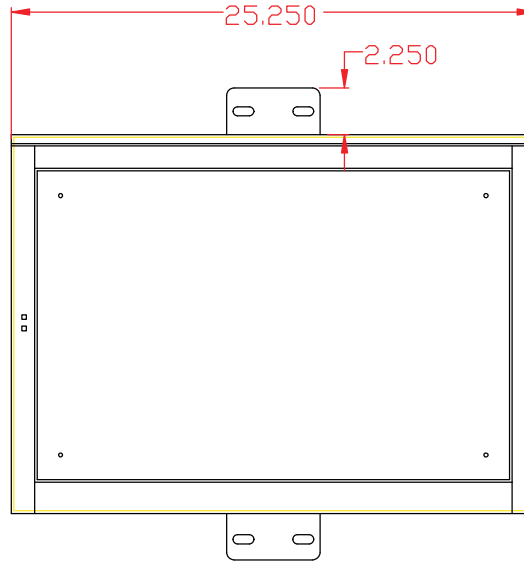
TOP FITS ON OUTSIDE OF BODY STITCH WELD ON INSIDE 2" WELDS



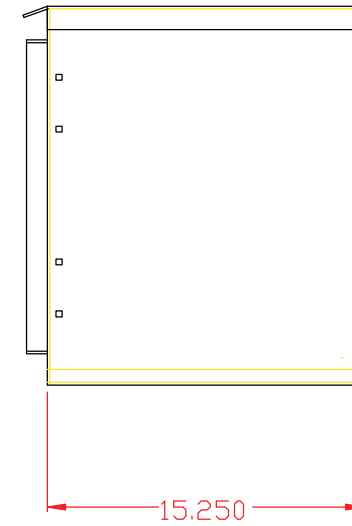
BOTTOM FITS ON INSIDE OF CAB- STITCH WELD TO BODY W/ 2" WELDS

25.250

2.250



WELD ALL THE WAY ACROSS POLE MOUNTING BKT THIS SIDE



WELD DOWN BOTH SIDES OF POLE MOUNTING BKT ON BACKSIDE

AMERESCO SOLAR
Green • Clean • Sustainable

TITLE

BBA-3

SIZE	CAGE CODE	DWG NO	REV
B			1

SCALE DO NOT SCALE	SHEET	1 OF 1
-----------------------	-------	--------

NOTES

PURCHASE ORDER NO.	N/A		
DOCUMENT CODE	N/A		
DOCUMENT NO.	N/A	N/A	

4

3

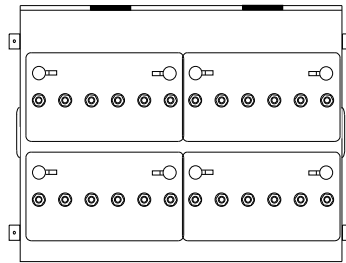
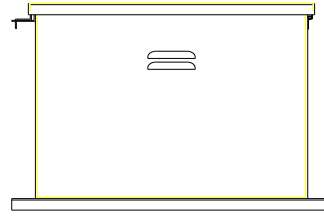
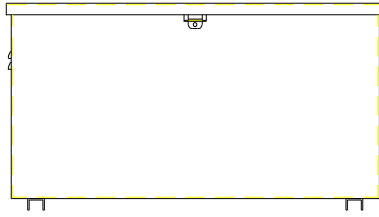
2

1

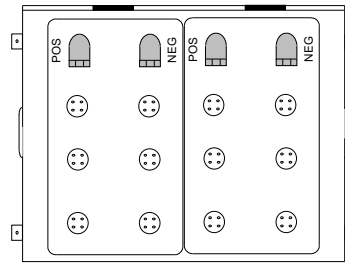
FILE NAME: BBA-3.tvw

4BS2000 BATTERY ENCLOSURE

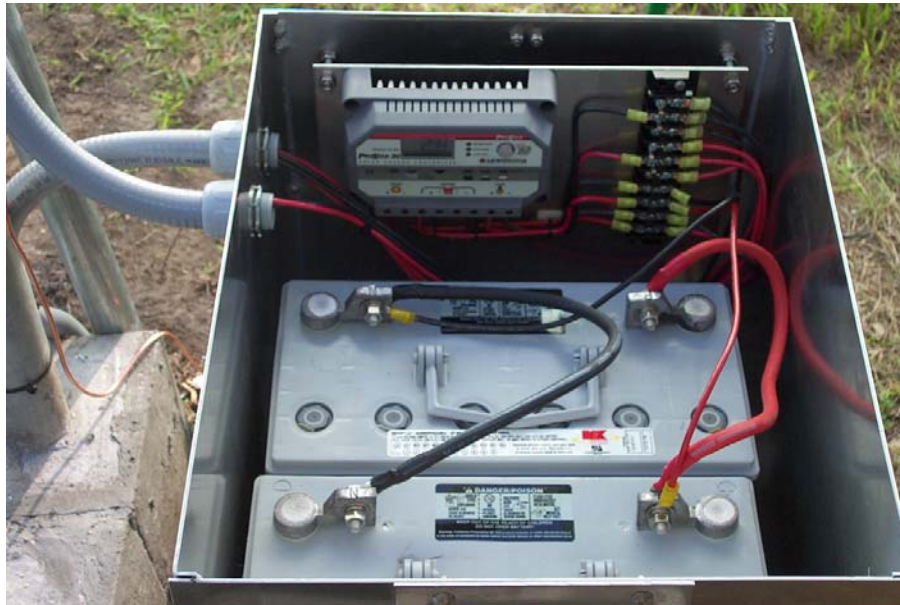


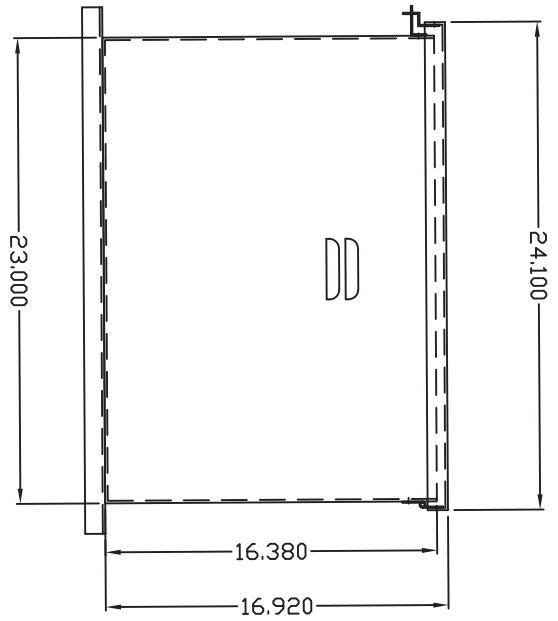
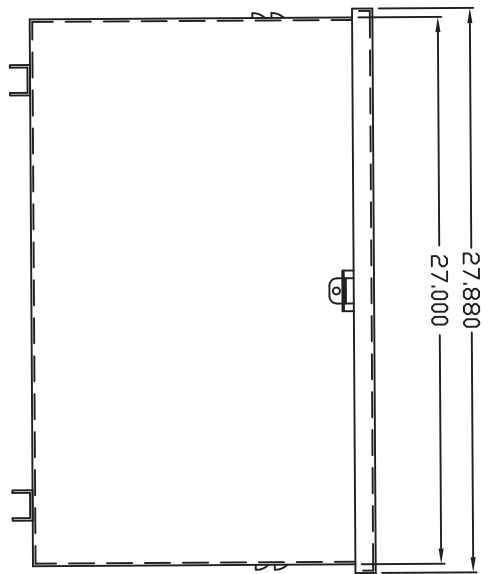
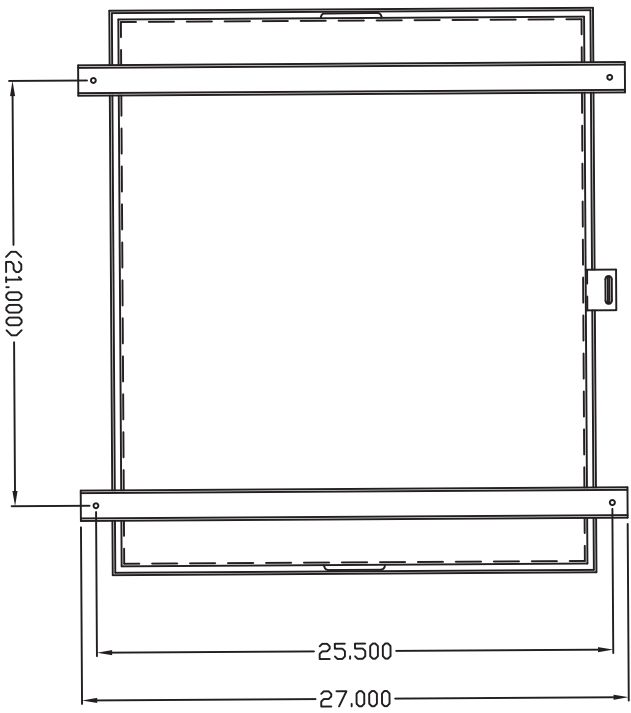


4 X MK8G27 BATTERIES



2 X MK8G8D BATTERIES

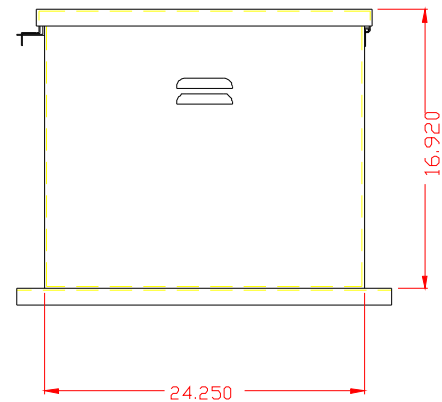
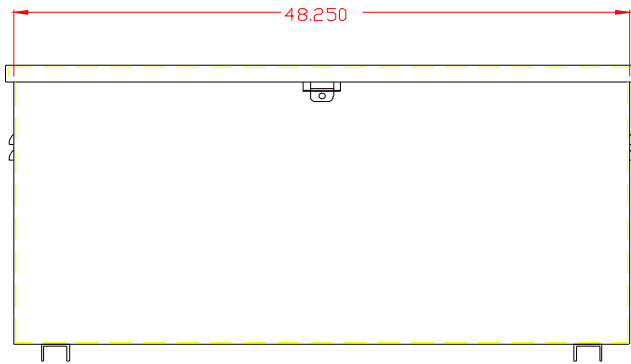
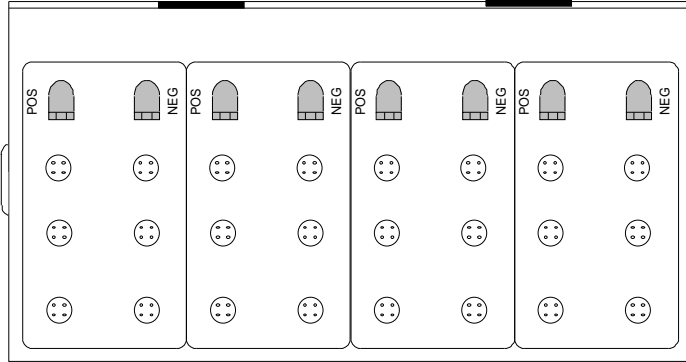




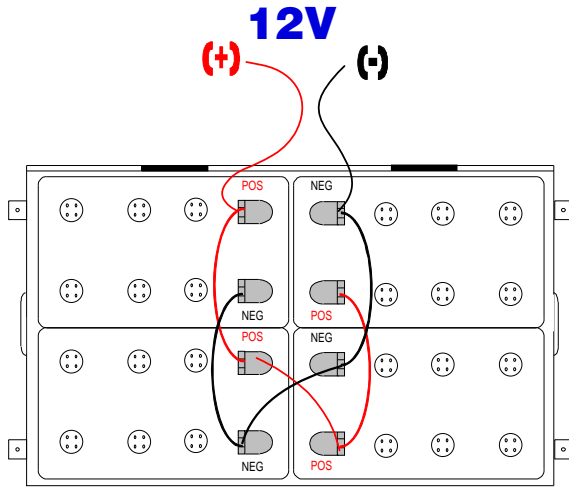
CHKD BY:		APP. BY:		P/N		007812		REV.		B	
DESCRIPTION:		17 X 27 X 23		DESCRIPTION:		SUBMITTAL		CUSTOMER:			
MATERIAL:		0.125 ALUM.		FINISH:		MILL		DRAWN BY:		DATE:	
AMERESCO SOLAR		Green • Clean • Sustainable		JCH		1/6/07		THIS PRINT FOR		SUBMITTAL PURPOSES ONLY	
REV.	DESCRIPTION	BY	DATE	JCH	1/6/07						
A	RELEASE	JCH	1/6/07								
B	27.000 WAS 24.000, 23.000 WAS 24.000	JCH	5/11/07								

BBA 10 BATTERY ENCLOSURE :



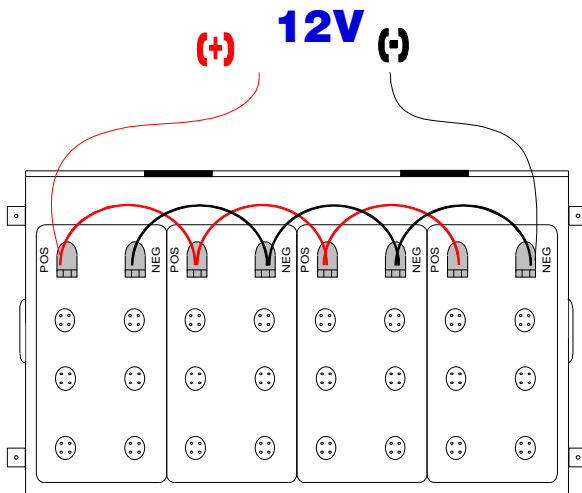


BBA-10 BATTERY ENCLOSURE



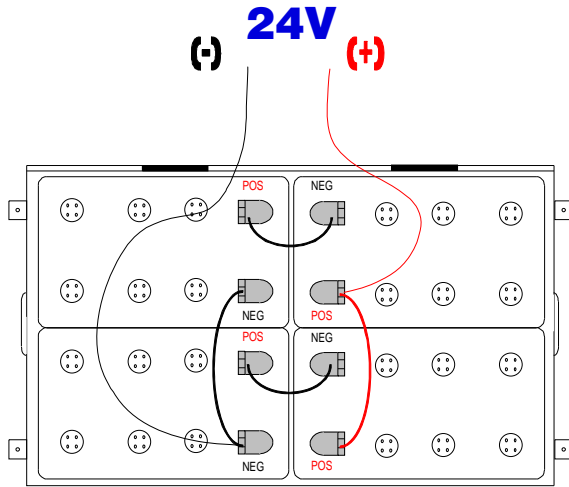
(PARALLEL CONNECTIONS)

#4-1 x 12" B-B CABLE
#4-1 x 20" B-B CABLE



(PARALLEL CONNECTIONS)

#4-1 x 20" B-B CABLE

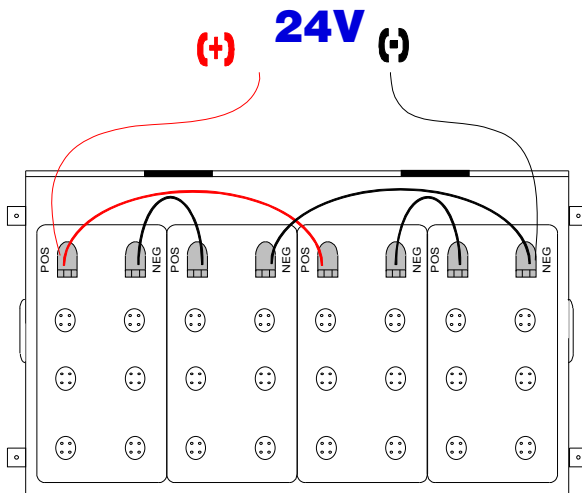


(SERIES CONNECTIONS)

#4-1 x 9" B-B CABLE
#4-1 x 12" B-B CABLE

(PARALLEL CONNECTIONS)

#4-1 x 12" B-B CABLE
#4-1 x 20" B-B CABLE

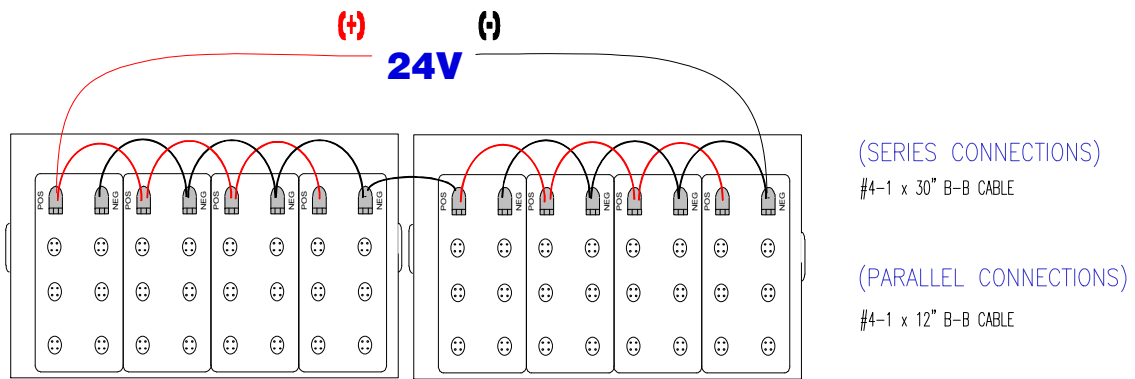
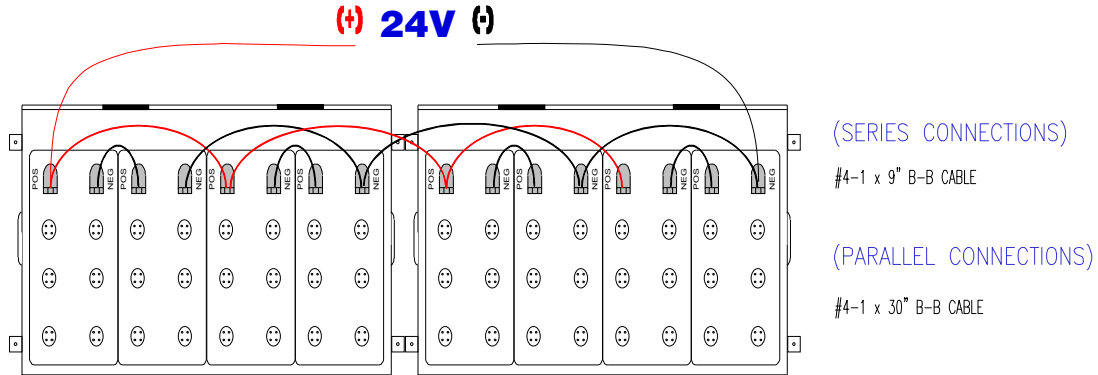


(SERIES CONNECTIONS)

#4-1 x 9" B-B CABLE
#4-1 x 12" B-B CABLE

(PARALLEL CONNECTIONS)

#4-1 x 20" B-B CABLE







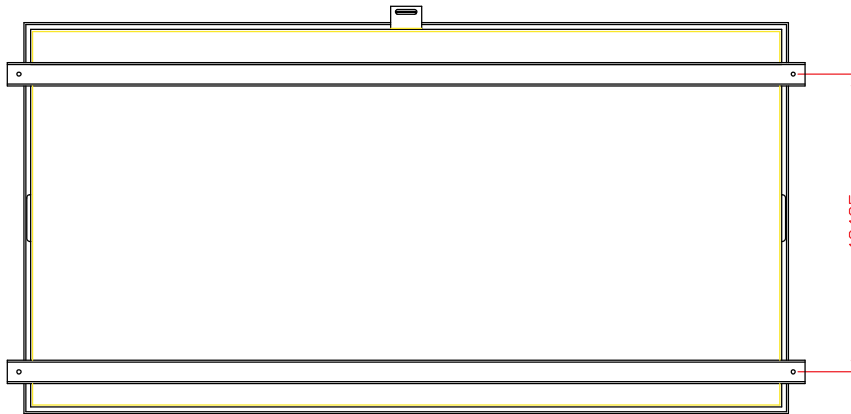
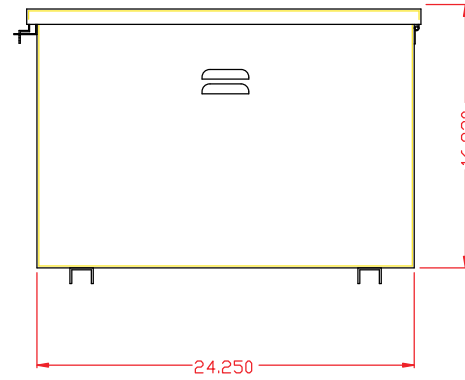
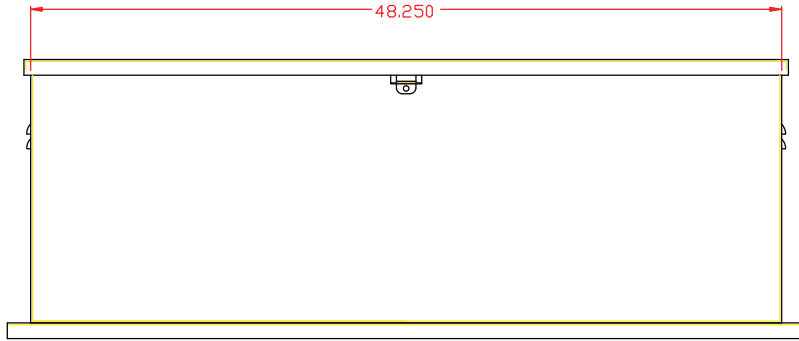


4

3

2

1



AMERESCO SOLAR
Green • Clean • Sustainable

TITLE
BBA-10

SIZE B	CAGE CODE	DWG NO	REV 1
------------------	-----------	--------	----------

SCALE DO NOT SCALE	SHEET 1 OF 1
-----------------------	-----------------

PURCHASE ORDER NO.	N/A
--------------------	-----

DOCUMENT CODE	N/A
---------------	-----

DOCUMENT NO.	N/A	N/A	
--------------	-----	-----	--

NOTES
Metal is 0.125" Aluminum

4

3

2

1

FILE NAME: BBA-10.dwg

BP1/2 BATTERY ENCLOSURE



DESCRIPTION: BP1/2
POLE MOUNT CAB

CUSTOMER:

MATERIAL: NOTE 1

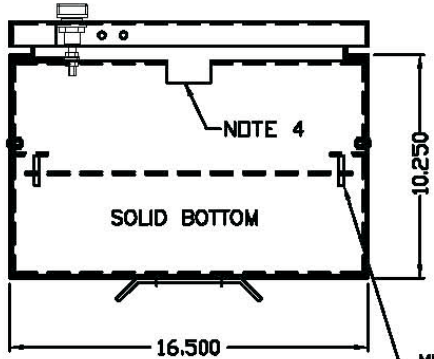
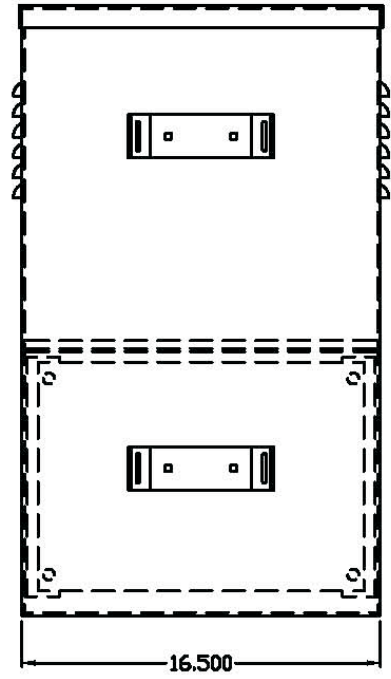
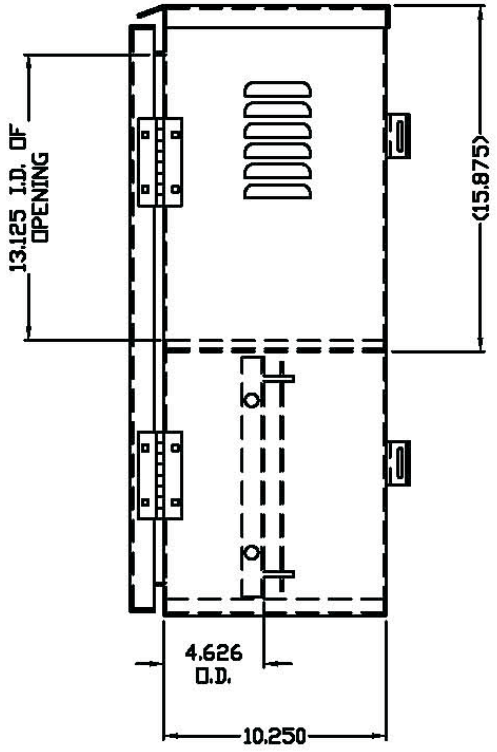
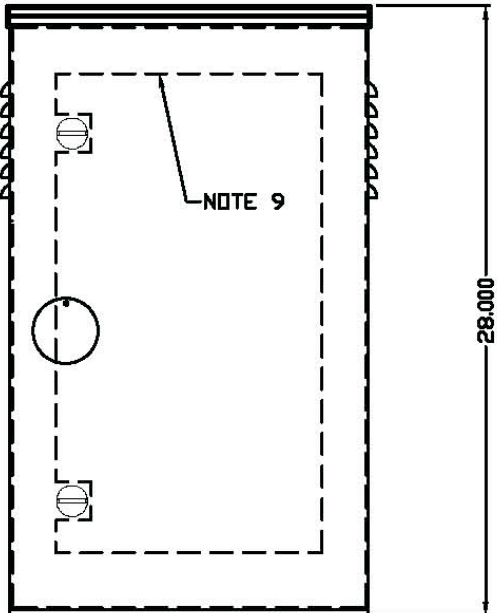
FINISH: MILL

AMERESCO SOLAR
Green • Clean • Sustainable

THIS PRINT IS INTENDED FOR
SUBMITTAL PURPOSES ONLY

DRAWN BY: GEJ DATE: 04/30/08

REV.	DATE	BY	DATE	APP. BY:	DATE:	DESCRIPTION
A		GEJ	04/30/08			RELEASE
B		SEG	9/15/08			NOTE 2: 24.25 WAS 40.00, NOTE 9: PVC WAS UHMW
C		SEG	1/8/09			LOWER SHELF 2", NOTE 5 10.50 WAS 12.50, ADD DIMENSIONS

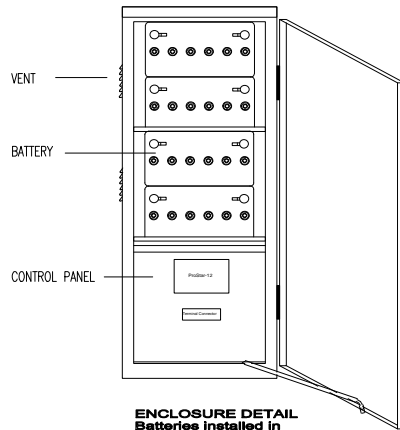


MOUNT BACK PANEL TO ANGLE BKTS THEN THE CABINET.

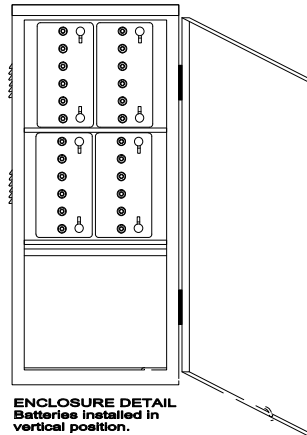
NOTE:

1. MATERIAL = .125 5052 ALUM
2. DOOR OPENING = 24.250 X 14.000
3. ONE (1) #1 POLICE LOCK PROVIDED
4. ONE (1) .125 THICK SHELVE WITH A 1" X 2" CUTOUT IN THE FRONT OF SHELF PROVIDED.
5. ONE 10.50 X 15.00 BACK PANEL PROVIDED IN THE LOWER COMPARTMENT
6. 1/2 X 2 GASKET PROVIDED IN THE DOOR
7. VENTILATED BY 3" LOUVERS ON EACH SIDE
8. 2 POSITION DOOR STOP SYSTEM
9. ONE 0.060 THK PVC PLASTIC SHEET IS GLUED TO THE INSIDE OF THE DOOR TO INSULATE FROM THE BATTERIES
10. DOUBLE FLANGED DOOR SEALS.
11. TWO SOUTHCO LATCHES P/N E3-10-505-50

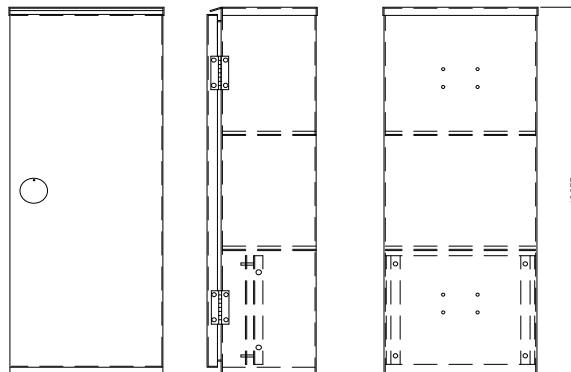
BP2/6 BATTERY ENCLOSURE

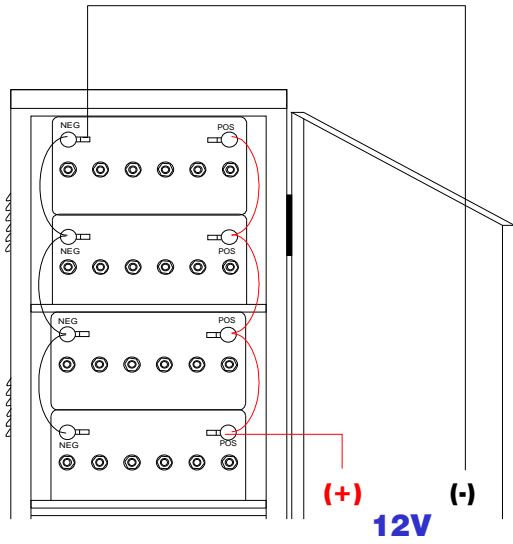


ENCLOSURE DETAIL
Batteries installed in
horizontal position.



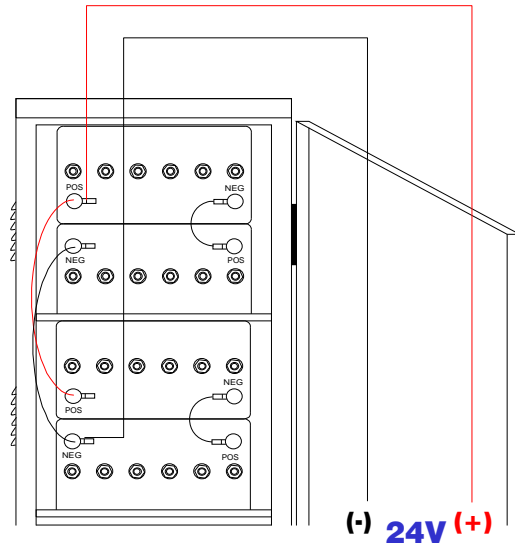
ENCLOSURE DETAIL
Batteries installed in
vertical position.





Battery wiring for 12V system

#4-1 x 20" B-B CABLE
(PARALLEL CONNECTIONS)



Battery wiring for 24V system

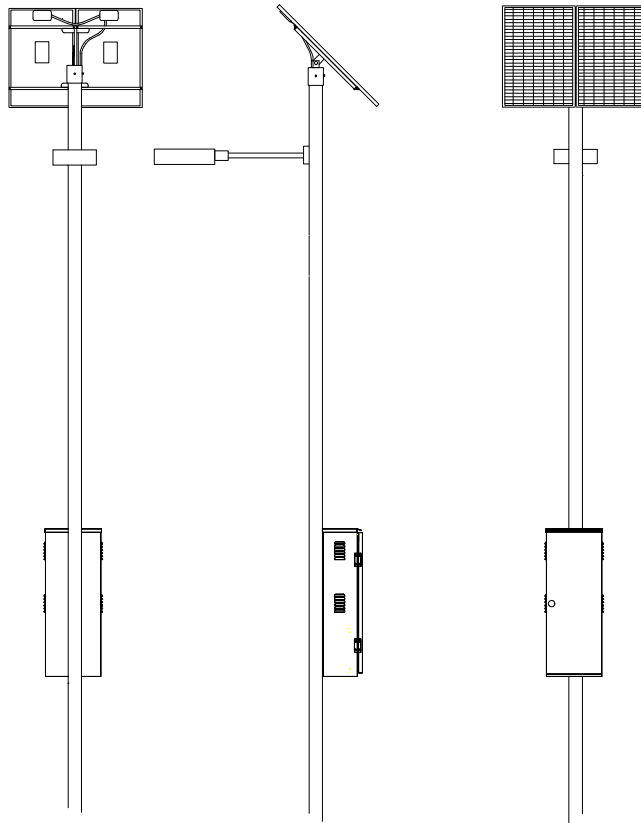
#4-1 x 9" B-B CABLE
(SERIES CONNECTIONS)

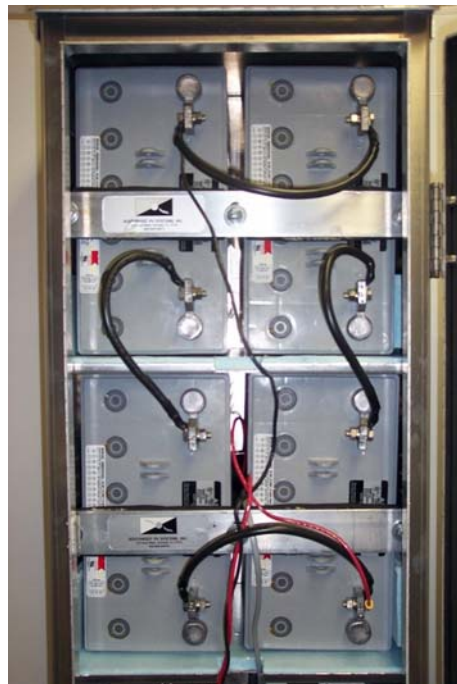
#4-1 x 20" B-B CABLE
(PARALLEL CONNECTIONS)



AMERESCO SOLAR

Green • Clean • Sustainable





BP2/6+E BATTERY ENCLOSURE

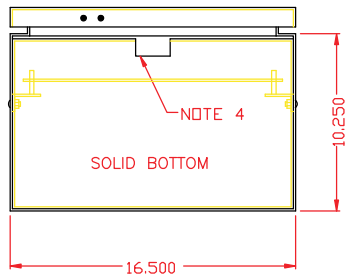
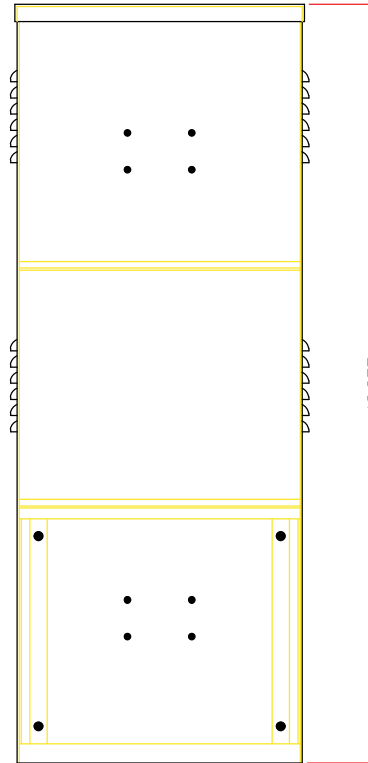
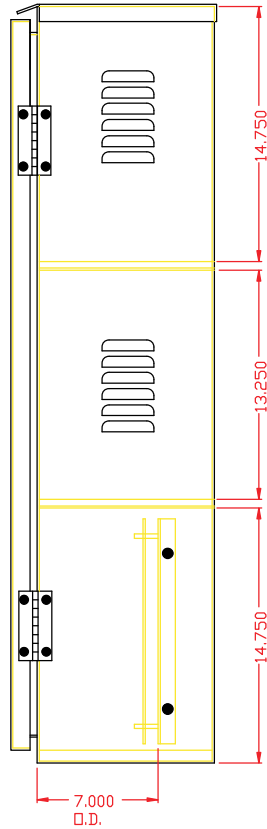
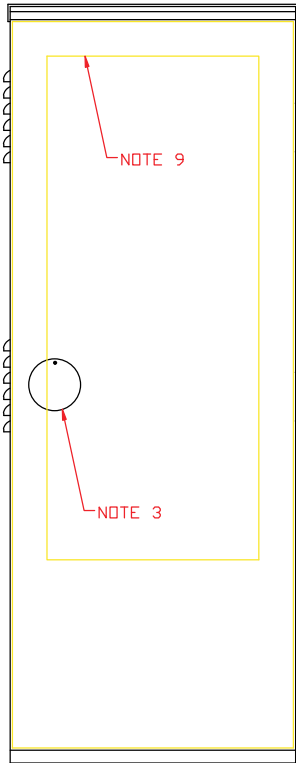


4

3

2

1



- NOTE:
1. MATERAIL = .125 5052 ALUM
 2. DOOR OPENING = 40.500 X 14.000
 3. ONE #1 PELCO LOCK PROVIDED
 4. TWO .125 THICK SHELVES WITH A 1" X 2" CUTOUT IN THE FRONT OF EACH SHELF PROVIDED.
 5. ONE 13.00 X 15.00 BACK PANEL PROVIDED IN THE LOWER COMPARTMENT
 6. 1/2 X 2 GASKET PROVIDED IN THE DOOR
 7. THE UPPER AND MIDDLE COMPARTMENTS ARE VENTILATED BY 3" LOUVERS ON EACH SIDE
 8. 90° AND 180° ANGLE DOOR STOP SYSTEM
 9. ONE 1/8 THK UHMW PLASTIC SHEET IS GLUED TO THE INSIDE OF THE DOOR IN FRONT OF TOP TWO COMPARTMENTS.
 10. ONE BLANK ACCESS BOX AT LOWER COMPARTMENT.

AMERESCO SOLAR
Green • Clean • Sustainable

TITLE			
BP2/6 CABINET			
SIZE	CAGE CODE	DWG NO	REV
B			1
SCALE DO NOT SCALE		SHEET 1 OF 1	
PURCHASE ORDER NO.		N/A	
DOCUMENT CODE		N/A	
DOCUMENT NO.		N/A	N/A

NOTES			

4

3

2

1

P/N 009033 REV. B

DESCRIPTION: BP2/6 + E
POLE MOUNT CAB

CUSTOMER:

MATERIAL: NOTE 1

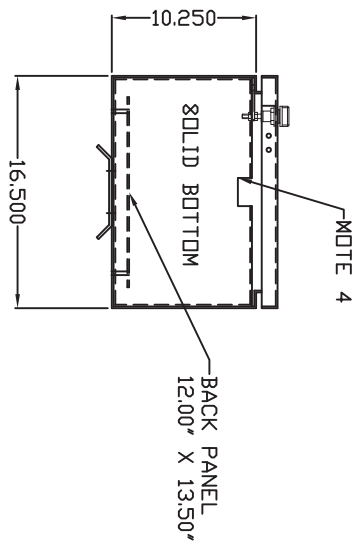
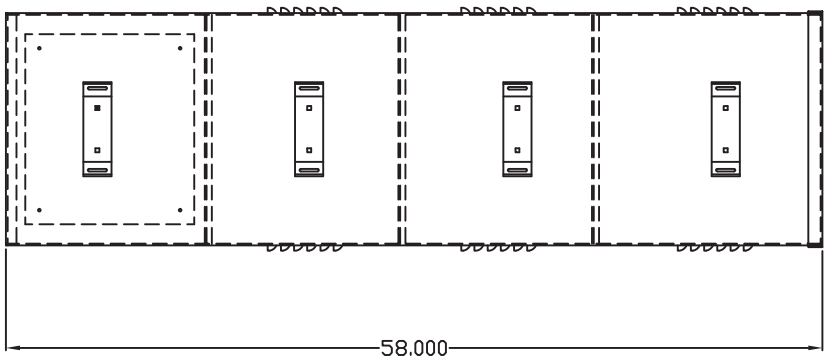
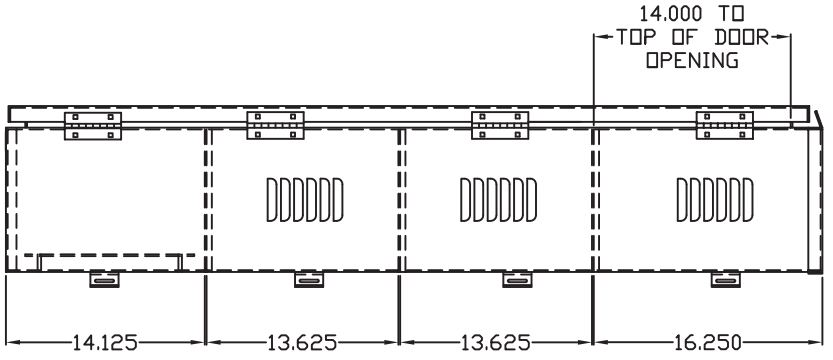
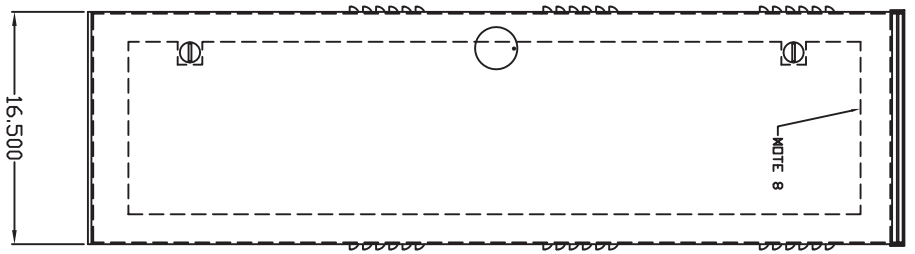
FINISH: MILL



THIS PRINT IS INTENDED FOR SUBMITTAL PURPOSES ONLY

DRAWN BY: SEG DATE: 4/29/08

CHKD BY:	DATE:	APP. BY:	DATE:
REV.	DESCRIPTION	BY	DATE
A	RELEASE	SEG	4/29/08
B	NEW DESIGN	SEG	5/7/08



NOTE:

1. MATERIAL = .125 5052 ALUM
2. DOOR OPENING APPROX. = 54.250 X 14.000
3. ONE #1 POLICE LOCK PROVIDED
4. THREE (3) .125 THICK SHELVES WITH A 1" X 2" CUT OUT IN THE FRONT OF EACH SHELF PROVIDED.
5. 1/2 X 2 GASKET PROVIDED IN THE DOOR
6. ALL COMPARTMENTS, EXCEPT THE LOWER ARE VENTILATED BY 3" LOUVERS ON EACH SIDE
7. 2 POSITION DOOR STOP SYSTEM
8. ONE (1) .060 THK UHMW/PVC PLASTIC SHEET IS GLUED TO THE INSIDE OF THE DOOR TO INSULATE FROM THE BATTERIES
9. DOUBLE FLANGED DOOR SEALS
10. TWO (2) SOUTHCO 1/4 LATCHES P/N E3-10-505-50
11. ONE (1) .125 ALUM BACK PANEL APPROX. 12.00 X 13.50 IN THE LOWER COMPARTMENT.
12. FOUR (4) STANDARD POLE MOUNT BRACKETS.

TGPL-1 BATTERY ENCLOSURE

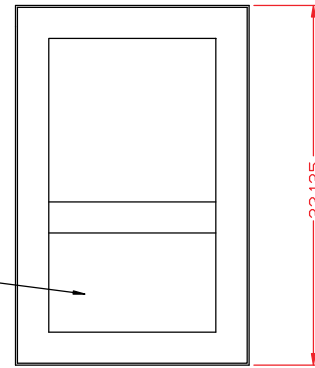
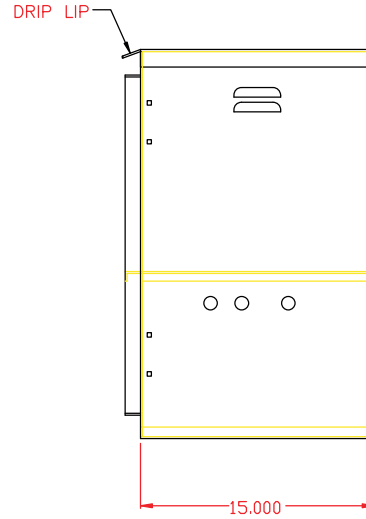
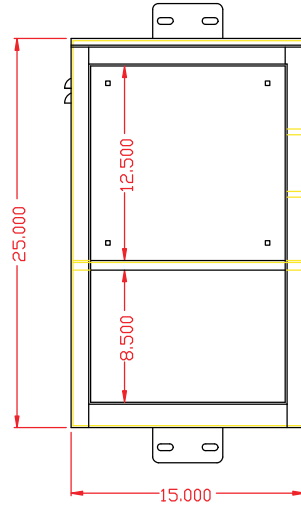
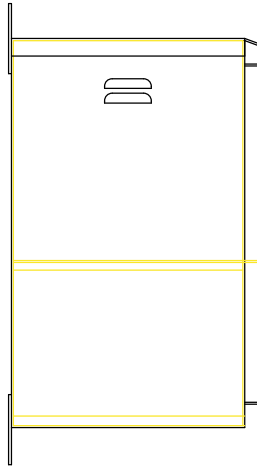


4

3

2

1



INSIDE VIEW OF DOOR

NOTE:

- 1. CABINET IS POLE MOUNTABLE
- 2. SST HINGES
- 3. 1/8 THICK BACK PANEL 12 1/4 X 12 1/4
- 4. PLASTIC SHEET, ON DOOR IN, BATTERY COMPARTMENT
- 5. ALL SST HARDWARE
- 6. SST HASP PROVIDED
- 7. BATTERY COMPARTMENT IS NEMA3R. EQUIPMENT COMPARTMENT IS NEMA 4X TYPE.

NOTE 4

AMERESCO SOLAR Green • Clean • Sustainable			
TITLE TGPL-1 BATTERY / EQUIPMENT ENCLOSURE			
SIZE B	CAGE CODE	DWG NO	REV FA.0
SCALE DO NOT SCALE		SHEET 1 OF 1	
PURCHASE ORDER NO.		N/A	
DOCUMENT CODE		10	
ITEM No.	003		

NOTES

4

3

2

1

TGPL-3 BATTERY ENCLOSURE

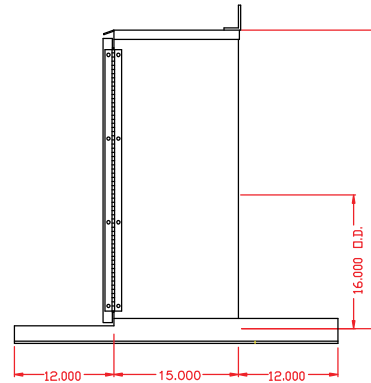
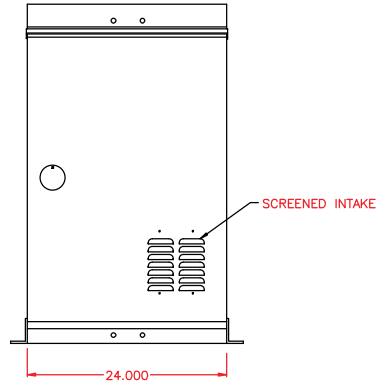
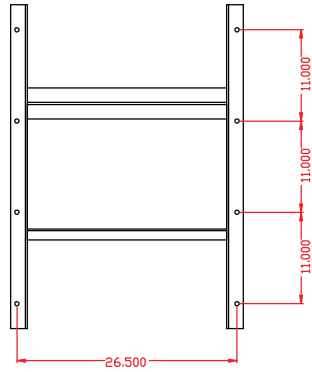


4

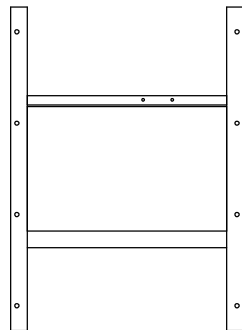
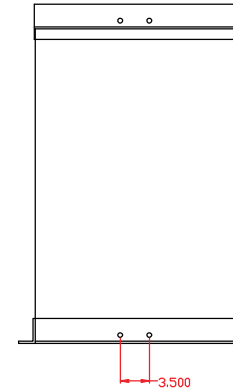
3

2

1



21.750 X 17.000 BACK PANEL



- NOTE:**
1. ENCLOSURE DIMENSIONS: 36H X 24W X 15D
 2. MATERIAL TO BE .125 5052 ALUM
 3. FINISH: WHITE POWDER COAT (OUTSIDE)
 4. FULL LENGTH STAINLESS STEEL HINGE.
 5. DOOR SEALED WITH 1/2" X 2" (12.7 X 50.8) GASKET
 6. LATCHING SYSTEM: CORBIN #1 LOCK
 7. DOOR STOP PROVIDED ON BOTTOM OF DOOR

NOTES

AMERESCO SOLAR
Green • Clean • Sustainable

TITLE				TGPL -3			
SIZE	CAGE CODE	DWG NO		REV			
B				1			
SCALE DO NOT SCALE			SHEET			1 OF 1	
PURCHASE ORDER NO.		N/A					
DOCUMENT CODE		N/A					
DOCUMENT NO.		N/A		N/A			

FILE NAME: EGPO.txd

4

3

2

1

TGPL-4 BATTERY ENCLOSURE





P/N 010270 REV. B

DESCRIPTION: 46 X 27.5 X 25 SUBMITTAL

CUSTOMER:

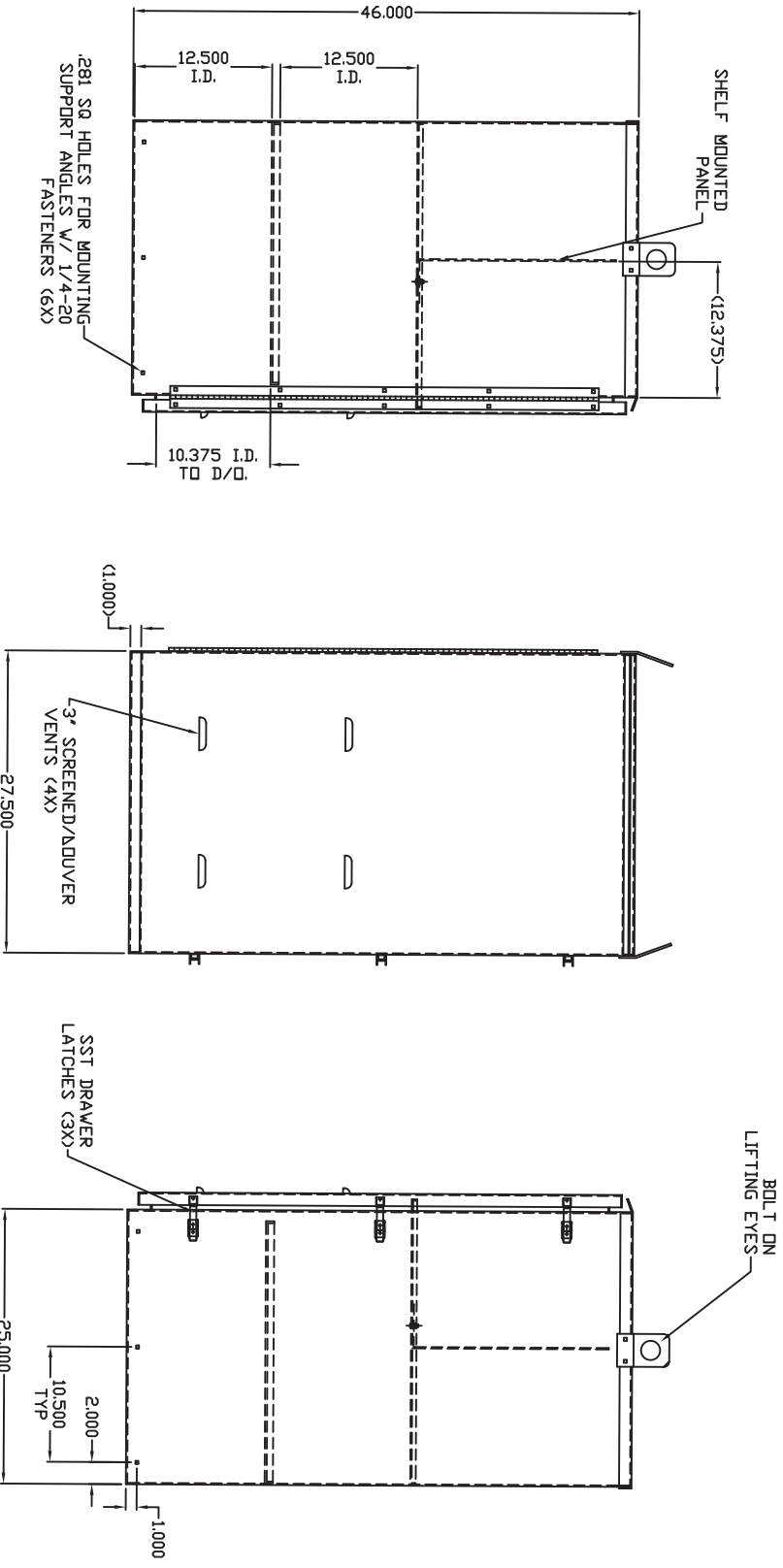
MATERIAL: SEE NOTE 2

FINISH: MILL

AMERESCO SOLAR
Green • Clean • Sustainable

DRAWN BY: SEG DATE: 4/23/09

REV.	DESCRIPTION	BY	DATE
A	RELEASE	SEG	4/23/09
A	46 X 27.5 X 25 WAS 54 X 30 X 24, 10.375 WAS 12.438, 12.50 WAS 14.563	SEG	5/4/09



- NOTE:
1. MANUFACTURED TO NEMA 3R SPECIFICATIONS
 2. MATERIAL: CABINET .125 ALUM, DOOR: .090 ALUM
 3. FREE STANDING CONFIGURATION
 4. WELDED CONSTRUCTION / SEALED SEAMS
 5. THREE (3) SST PAD LOCKABLE DRAWER LATCHES
 6. SST FULL LENGTH HINGE AND HARDWARE
 7. 1/2" X 2" CLOSED CELL NEOPRENE GASKET
 8. DOUBLE FLANGED DOOR OPENING
 9. TOP SHELF FULL PERIMETER WELD AND SEALS SEPARATE FROM BOTTOM COMPARTMENT W/ BOLT ON SUB PANEL APPROX. 18.00H X 25.50W.
 10. ONE (1) H.D. BATTERY SHELF .187 ALUM FULL SEAM WELDED
 11. SCREENED/LOUVER VENTS ON DOOR
 12. BOLT ON LIFTING EYES
 13. MOUNTING HOLES SUPPLIED ON CABINET SIDES.
 14. SHIPPING PALLET WITH PROTECTIVE WRAPPING