



TS4-A-F

PV Module Advanced Add-On

The TS4-A-F (Fire Safety) is the advanced add-on rapid shutdown solution that brings smart module functionality to standard PV modules for higher reliability. Ensure safety by upgrading existing PV systems or by adding safety features to new installations.

The TS4-A-F complies with NEC 690.12 Rapid Shutdown specifications when installed with the Tigo RSS Transmitter or an inverter with built-in Tigo certified transmitter.

Included Features



Fire Safety

Enhanced **safety** for NEC 690.12 rapid shutdown compliance

Easy Installation

Snap to standard module frame or remove brackets for rack mounting

PLC Signaling

Control rapid shutdown with the Tigo RSS Transmitter

Automatic Shutdown

PV array enters rapid shutdown in event of AC grid loss



TS4-A-F SPECIFICATIONS

Environmental

| | |
|-----------------------------|----------------------------------|
| Operating Temperature Range | -40°C to +85°C (-40°F to +185°F) |
| Outdoor Rating | IP68, NEMA 3R |

Mechanical

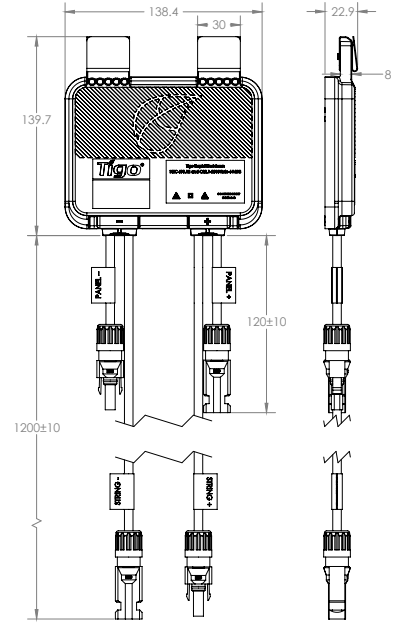
| | |
|------------|----------------------------|
| Dimensions | 138.4mm x 139.7mm x 22.9mm |
| Weight | 490g |

Electrical

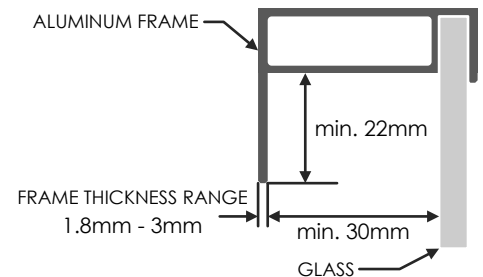
| | |
|---------------------|-----------------|
| Voltage Range | 16 - 90V |
| Maximum Current | 15A |
| Maximum Power | 500W |
| Output Cable Length | 1.2m (standard) |
| Connectors | MC4 (standard) |
| Communication Type | PLC |

Rapid Shutdown UL Listed (NEC 2017 & 2020 690.12) Yes

Rapid shutdown activation of TS4-A-F requires RSS Transmitter.



Module frame specifications for mounting TS4-A



ORDERING INFORMATION

Standard

458-00252-32 1500V UL / 1000V TÜV, 1.2m cable, MC4

Options

458-00257-12 1000V UL / TÜV, 1.2m cable, MC4 comparable

458-00261-32 1500V UL / TÜV, 1.2m cable, EVO2

For sales info:

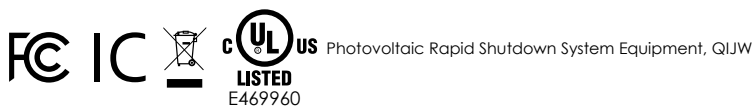
sales@tigoenergy.com or 1.408.402.0802

For product info:

Visit tigoenergy.com/products

For technical info:

Visit support.tigoenergy.com



For additional info and product selection assistance, use Tigo's online design tool at tigoenergy.com/design