



TS4-A-O

PV Module Advanced Add-On

The TS4-A-O (Optimization) is the advanced add-on optimization solution that brings smart module functionality to standard PV modules for higher reliability. Improve energy efficiency by upgrading underperforming PV systems or adding smart features to new installations.

The TS4-A-O with UHD-Core technology and expanded specifications supports PV modules up to 500W.

Included Features



Optimization

Module-level **optimization** for increased energy yield and greater design flexibility



Safety

Enhanced **safety** for NEC 690.12 rapid shutdown compliance



Monitoring

Module-level **monitoring** for energy production tracking and system management

Easy Installation

Snap to standard module frame or remove brackets for rack mounting

Smart Commissioning

Configure and commission with your Android or iOS mobile device



TS4-A-O SPECIFICATIONS

Environmental

Operating Temperature Range -40°C to +85°C (-40°F to +185°F)

Outdoor Rating IP68, NEMA 3R

Mechanical

Dimensions 138.4mm x 139.7mm x 22.9mm

Weight 520g

Electrical

Total Max Input Voltage (V_{OC} @ Lowest Temperature) 90V

Voltage Range 16 - 90V

Maximum Current 12A

Maximum Power 500W

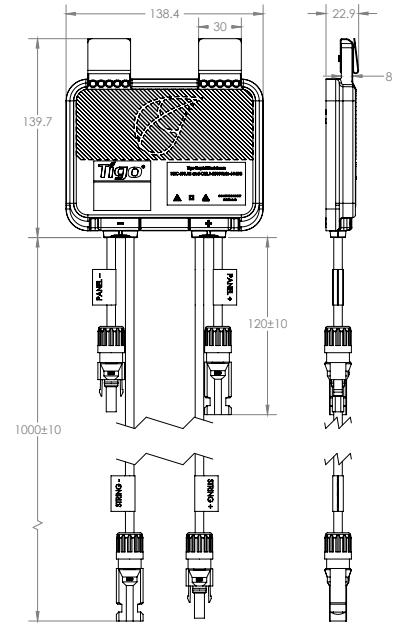
Output Cable Length 1.2m (standard)

Connectors MC4 (standard)

Communication Type Wireless

Rapid Shutdown UL Listed (NEC 2014 & 2017 690.12) Yes

Recommended fuse rating 15A



TAP required for rapid shutdown and CCA required for monitoring with TS4-A-O.

*Photovoltaic Rapid Shutdown Equipment NEC 690.12 and C22.1-2015 Rule 64-218
This rapid shutdown system is required to be connected to an automatic system which initiates rapid shutdown upon the activation of the AC system disconnect.*

ORDERING INFORMATION

Standard

451-00252-32 1500V UL / 1000V TÜV, 1.2m cable, MC4

Options

451-00257-12 1000V UL / TÜV, 1.2m cable, MC4 comparable

451-00252-12 1500V UL / 1000V TÜV, 1m cable, MC4

451-00261-32 1500V UL / TÜV, 1.2m cable, EVO2

For sales info:

sales@tigoenergy.com or 1.408.402.0802

For product info:

Visit tigoenergy.com/products

For technical info:

Visit support.tigoenergy.com



For additional info and product selection assistance, use Tigo's online design tool at tigoenergy.com/design

